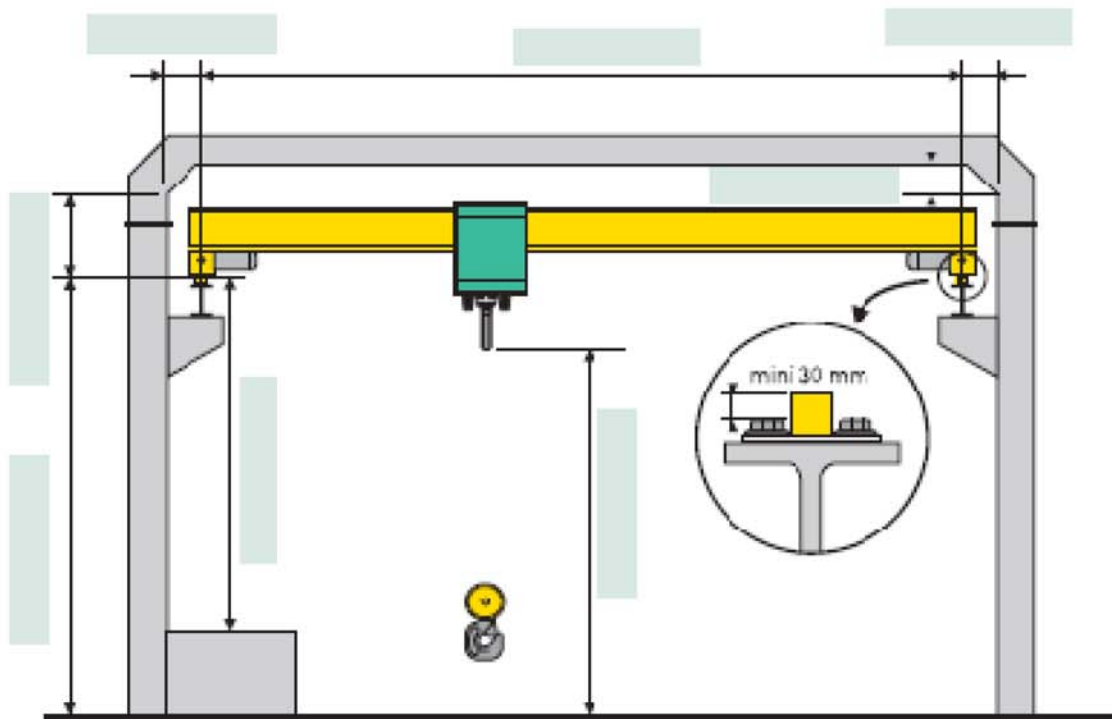
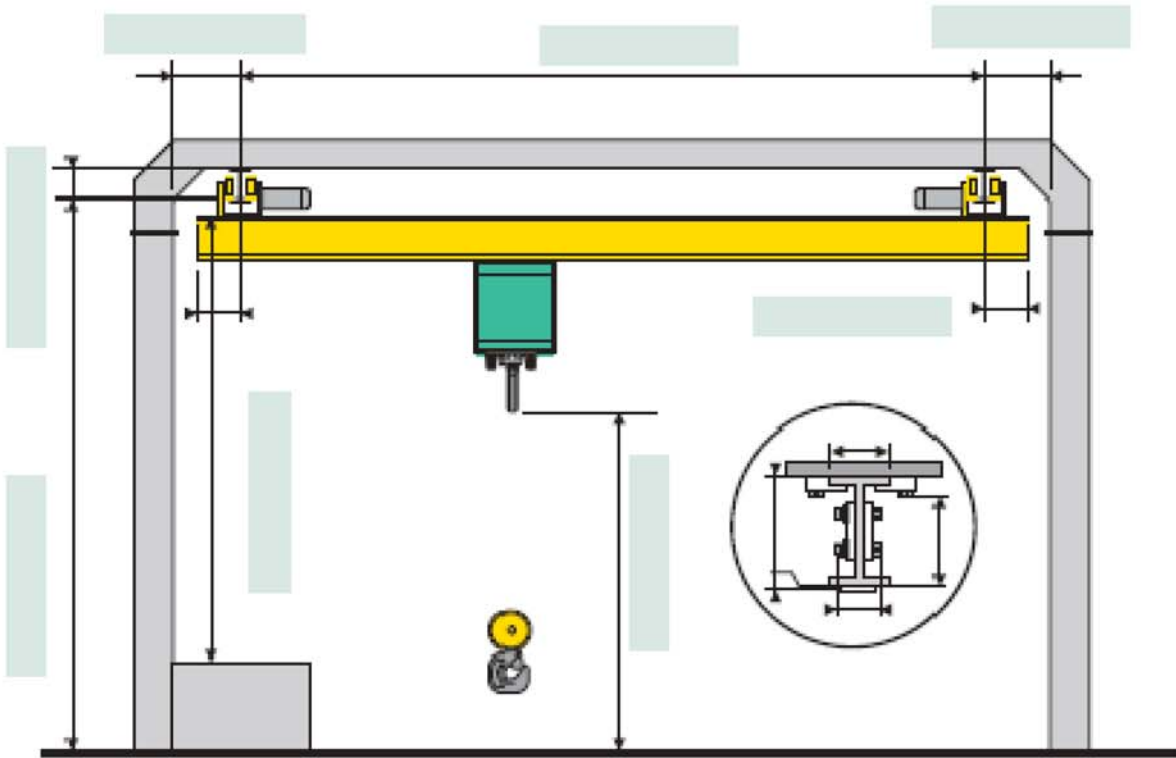


New Crane Quotation

Thank you for enquiring with Jenmon International. Please fill in the form below and we will reply as soon as we can.

Load Capacity : _____ Kg	Is there an existing runway? : Yes / No
Span : _____ m	Runway Type : _____
Power Supply : _____ V	Runway Length : _____ m
Working environment? : Safe zone / Explosion-Proof zone	
*Please tick where applicable. Multiple choices are possible.	
<input type="checkbox"/> Top-Running Single Girder Crane	<input type="checkbox"/> Gantry
<input type="checkbox"/> Underslung Single Girder Crane	<input type="checkbox"/> Semi-Gantry
<input type="checkbox"/> Foot-Mounted Single Girder Crane	<input type="checkbox"/> Overhead Travelling
<input type="checkbox"/> Top-Running Double Girder Crane	<input type="checkbox"/> Jib-Crane
	<input type="checkbox"/> Monorail
	<input type="checkbox"/> Others : _____





Company :	
Name :	
Designation :	
Address :	
Street :	
Postal Code :	
Country :	
Tel. Office :	
Fax :	
Email :	
Other remarks :	